



Certificate No. : TC-6093

ELECTRICAL RESEARCH AND DEVELOPMENT ASSOCIATION

(Accredited by the National Accreditation Board for Testing and Calibration Laboratories, Govt. of India)

R-336, TTC Industrial Area, Thane - Belapur Road, MIDC, Rabale, Navi Mumbai - 400 701.

EPABX : + 91 (022) 27606212 / 13 / 14

E-mail : erdarab@erda.org



Web : http://www.erda.org



ULR-TC609319000030909F

Sheet 1 of 5

TEST REPORT

NAME & ADDRESS OF CUSTOMER M/s. TOROTRANS, S.No. 49/1A, Gokul Nagar, Vrindavan Nagar, Lane No. 2, Katraj Road, Kondhwa (BK), Pune-411 048.	REPORT NO. : RP-1920-025541 DATE : 9-October-2019
	CUSTOMER REF. No. & DATE: Nil Dated 08/09/2019
	DATE OF SAMPLE RECEIPT : 30-September-2019
	START DATE OF TESTING : 3-October-2019 END DATE OF TESTING : 3-October-2019
SAMPLE DESCRIPTION Current Transformer Make :TOROTRANS; Ratio : 2500/5 A ; Burden: 15VA; Accuracy Class :5P; ALF:20; N.S.V. /H.S.V.: 0.66/0.72 kV; B.I.L.: 0.66/3 kV ; Frequency :50 Hz ; Type: Tape Wound; Insulation Class: A; No of Core: 01	SAMPLE IDENTIFICATION SERIAL No.: 619593/09/2019 ENCLOSURES: 1) Annexure-I (sheet : 01 No.) 2) Drawing Nos.: TW-CT-01 Rev.: 2 ERDA SAMPLE CODE No. :ERDA-00337148
TEST DETAILS Test Details as per sheet 2 of 5	
REMARKS: The sample conforms to the requirement of above mentioned test specification with respect to test carried out.	
 CHECKED BY	 NITIN DOSHI APPROVED BY
NOTE : 1. This report relates only to the particular sample received for testing in good condition at ERDA. 2. This report cannot be reproduced in part under any circumstances. 3. Publication of this report requires prior permission in writing from Director, ERDA. 4. Only the tests asked for by the customer have been carried out. 5. In case of any dispute, Vadodara will be the exclusive jurisdiction & shall be construed as where the cause has arised.	
Caution: ERDA is not responsible for the authenticity of photocopied or reproduced test reports. ERDA provides support to customers for verification of the authenticity of test reports issued by ERDA.	

TC 0037424





Certificate No. : TC-6093

ELECTRICAL RESEARCH AND DEVELOPMENT ASSOCIATION

(Accredited by the National Accreditation Board for Testing and Calibration Laboratories, Govt. of India)

R-336, TTC Industrial Area, Thane - Belapur Road, MIDC, Rabale, Navi Mumbai - 400 701.

EPABX : + 91 (022) 27606212 / 13 / 14

E-mail : erdarab@erda.org

Web : http://www.erda.org



ULR-TC609319000030909F

TEST REPORT NO.: RP-1920-025541

SHEET : 2 OF 5

DATE

: 9-October-2019

Sr. No.	TEST DETAILS	TEST SPECIFICATIONS
1	Verification of markings	As per Cl. No.7.3.6 of IS 16227 (Part 1) : 2016
2	Power frequency voltage withstand test on primary terminals	As per Cl. No. 7.3.1 of IS 16227 (Part 2) : 2016
3	Power-frequency voltage withstand tests on secondary terminals	As per Cl.No. 7.3.4 of IS 16227 (Part 1) : 2016
4	Inter-turn overvoltage test	As per Cl.No. 7.3.204 of IS 16227 (Part 2) : 2016
5	Test for ratio error and phase displacement of class P and PR protective current transformers	As per Cl.No. 7.3.5.202 of IS 16227 (Part 2) : 2016
6	Test for composite error of class P and PR protective current transformers	As per Cl.No. 7.3.5.203 of IS 16227 (Part2) : 2016


CHECKED BY



TC 0037425



Certificate No. : TC-6093

ELECTRICAL RESEARCH AND DEVELOPMENT ASSOCIATION

(Accredited by the National Accreditation Board for Testing and Calibration Laboratories, Govt. of India)

R-336, TTC Industrial Area, Thane - Belapur Road, MIDC, Rabale, Navi Mumbai - 400 701.

EPABX : + 91 (022) 27606212 / 13 / 14

E-mail : erdarab@erda.org

Web : http://www.erda.org



ULR-TC609319000030909F

TEST REPORT NO.: RP-1920-025541

SHEET : 3 OF 5

DATE : 9-October-2019

TEST RESULT:

1. Verification of markings

(As per Cl. No.7.3.6 of IS 16227 (part 1) : 2016)

- Primary winding terminals : P1-P2
- Secondary winding terminals : S1-S2
- The terminals marked clearly and indelibly.
- All terminals marked and have the same polarity.
- Terminal marking and Polarity found ok.

REMARKS: Conforms

2. Power frequency voltage withstand test on primary terminals.

(As per Cl. No. 7.3.1 of IS 16227 (part 2) : 2016)

The power frequency voltage of 3 kV (rms) was applied between the primary Windings terminals (all) connected together and the earth. The secondary winding terminals and body were shorted and connected to the earth. The test voltage was applied for one minute. There was no disruptive discharge observed.

The test object withstood the test voltage satisfactorily.

REMARKS: Conforms

3. Power frequency voltage withstand test on secondary terminals.

(As per Cl. No. 7.3.4 of IS 16227 (part 1) : 2016)

The power frequency voltage of 3 kV (rms) was applied between the secondary Windings terminals (all) connected together and the earth. The primary winding terminals and body were shorted and connected to the earth. The test voltage was applied for one minute. There was no disruptive discharge observed.

The test object withstood the test voltage satisfactorily.

REMARKS: Conforms

TC 0037426



CHECKED BY



Certificate No. : TC-6093

ELECTRICAL RESEARCH AND DEVELOPMENT ASSOCIATION
 (Accredited by the National Accreditation Board for Testing and Calibration Laboratories, Govt. of India)
 R-336, TTC Industrial Area, Thane - Belapur Road, MIDC, Rabale, Navi Mumbai - 400 701.
 EPABX : + 91 (022) 27606212 / 13 / 14
 E-mail : erdarab@erda.org
 Web : http://www.erda.org



ULR-TC609319000030909F

TEST REPORT NO.: RP-1920-025541

SHEET : 4 OF 5

DATE : 9-October-2019

4. Inter-turn overvoltage test.
 (As per Cl.No. 7.3.204 of IS 16227 (Part 2) : 2016)

PROCEDURE-A

With secondary winding connected to oscilloscope, a substantially sinusoidal current at 50 Hz frequency & of rms value equal to rated primary current (i.e. 2500 A) was applied for 60 seconds to the primary winding.

The test object withstood the test voltage for S1-S2 of secondary site for 60 seconds.

REMARKS: Conforms

5. Test for ratio error and phase displacement of class P and PR protective current transformer (As per Cl.No. 7.3.5.202 of IS 16227 (Part2) : 2016)

% OF RATED CURRENT	RATIO ERROR IN %	PHASE DISPLACEMENT IN MIN.
--------------------	------------------	----------------------------

RATIO : 2500/5 A, BURDEN : 15 VA, CLASS : 5P, CORE : S1-S2

BURDEN : 100 % at 0.8 P.F.		
100	-0.058	2.13

REMARKS: Conforms

VR

CHECKED BY



TC 0037427



Certificate No. : TC-6093

ELECTRICAL RESEARCH AND DEVELOPMENT ASSOCIATION

(Accredited by the National Accreditation Board for Testing and Calibration Laboratories, Govt. of India)

R-336, TTC Industrial Area, Thane - Belapur Road, MIDC, Rabale, Navi Mumbai - 400 701.

EPABX : + 91 (022) 27606212 / 13 / 14

E-mail : erdarab@erda.org

Web : <http://www.erda.org>



ULR-TC609319000030909F

TEST REPORT NO.: RP-1920-025541

SHEET : 5 OF 5

DATE : 9-October-2019

6. Test for composite error of class P and PR protective current transformers:
(As per Cl.No. 7.3.5.203 of IS 16227 (Part 2) :2016)

Secondary winding terminals	S1-S2
Secondary winding Resistance @ 28.5° C	0.760 Ω
Resistance @ 75 ° C	0.894 Ω
Ratio	2500/5A
S.L.V. Computed	142.04 V
Excitation Current Measured	35.70 mA
Composite Error	0.04 %

REMARKS: Conforms

CHECKED BY



TC 0037428



Certificate No. : TC-6093

ELECTRICAL RESEARCH AND DEVELOPMENT ASSOCIATION

(Accredited by the National Accreditation Board for Testing and Calibration Laboratories, Govt. of India)

R-336, TTC Industrial Area, Thane - Belapur Road, MIDC, Rabale, Navi Mumbai - 400 701.

EPABX : + 91 (022) 27606212 / 13 / 14

E-mail : erdarab@erda.org

Web : http://www.erda.org



ULR-TC609319000030909F

ANNEXURE-I

TEST REPORT NO.: RP-1920-025541

SHEET : 1 OF 1

DATE : 9-October-2019

PHOTOGRAPHS OF TEST SAMPLE



TC 0037429


CHECKED BY



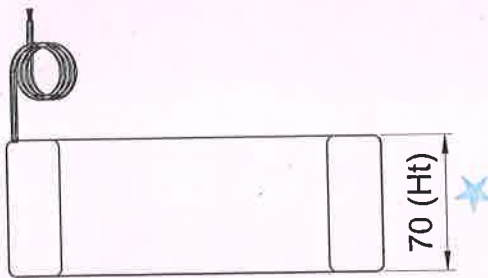
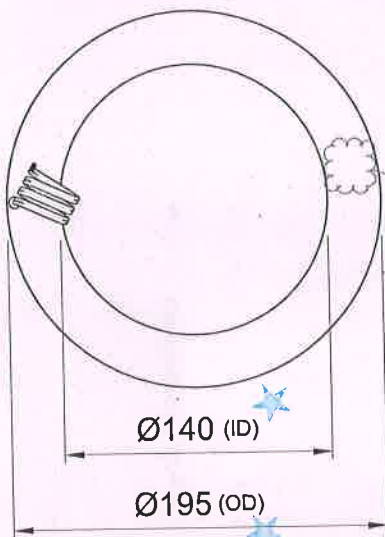
TAPE WOUND PROTECTION CURRENT TRANSFORMER

Specifications

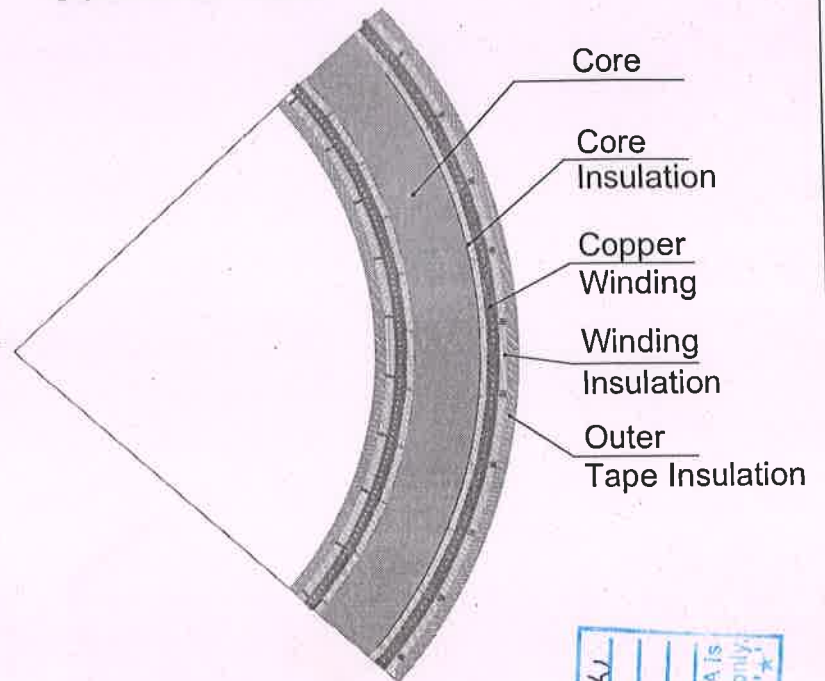
Ratio	2500 / 5A
Class	5P
Type	Tape Wound
Insulation Class	A
Batch No.	SR70 08/2019 SR70 619599/09/2019 *

Burden	15 VA
ISF: --	ALF: 20
I.L.	0.66 / 3 KV
IS	16227 / 2012 ²⁰¹⁶
CPS	50 Hz

Product Sketch



Sectional View



Product Image



All dimensions are in mm. and Tolerance ±3%

Document No.: TW-CT-01

Document Rev.: 2

Date of Issue.: 14/09/2019

Document Title: Preliminary Drawing of Tape Wound Protection Current Transformer



TOROTRANS
(An ISO 9001:2015 Certified Company)



S.No.49/1A, Gokul Nagar, Katraj - Kondhwa Road, Vrindavan Nagar, Lane No. 2, Pune - 411 048, Maharashtra (India)
Tel. Nos.: +91-85300 03699 / +91-93710 11408

E-mail : mahesh@torotrans.com, torotrans.mahesh@gmail.com
Web : http://www.torotrans.com
Skype : Torotrans1994



MANUFACTURER OF : TOROIDAL POWER & CURRENT TRANSFORMERS